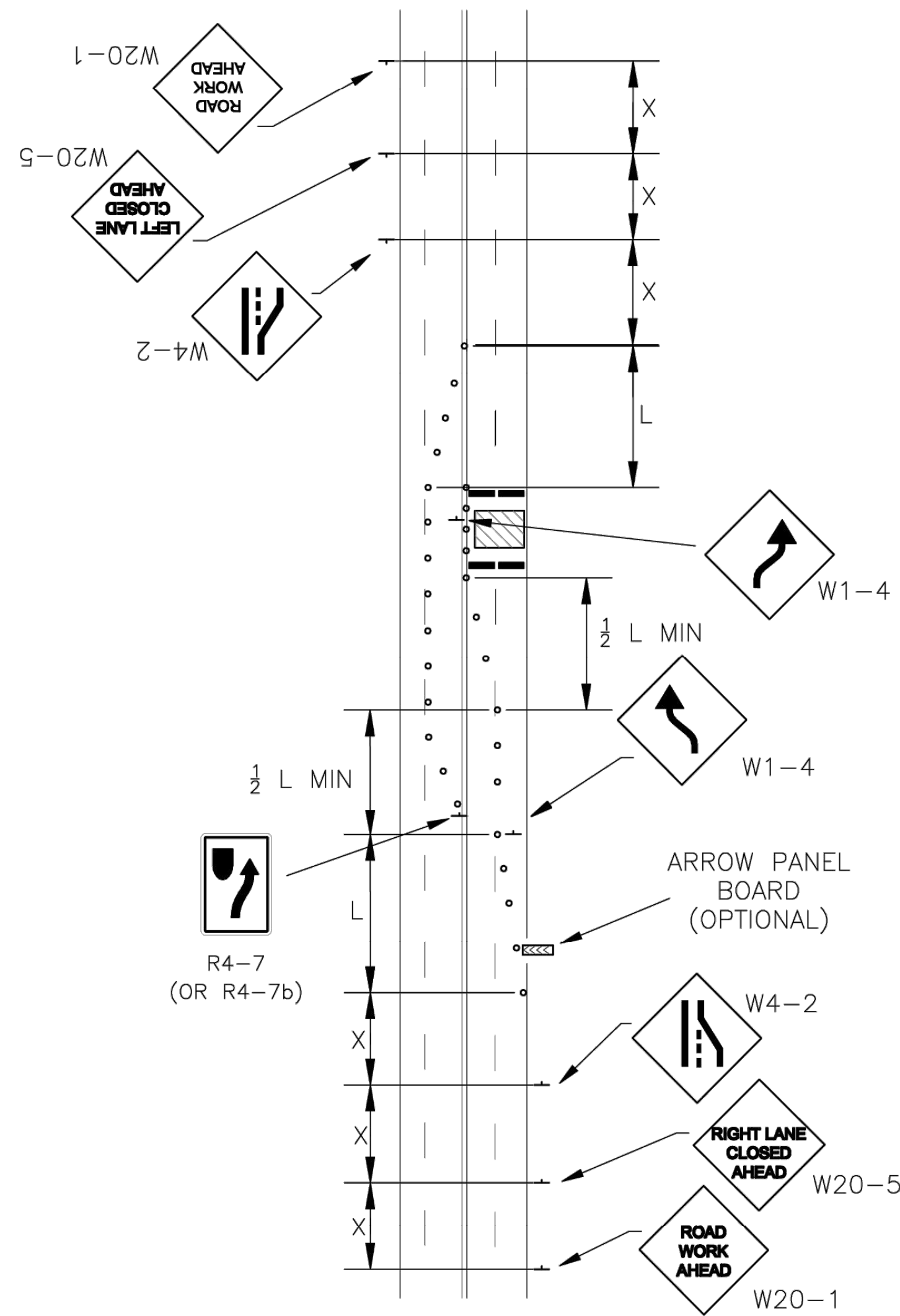
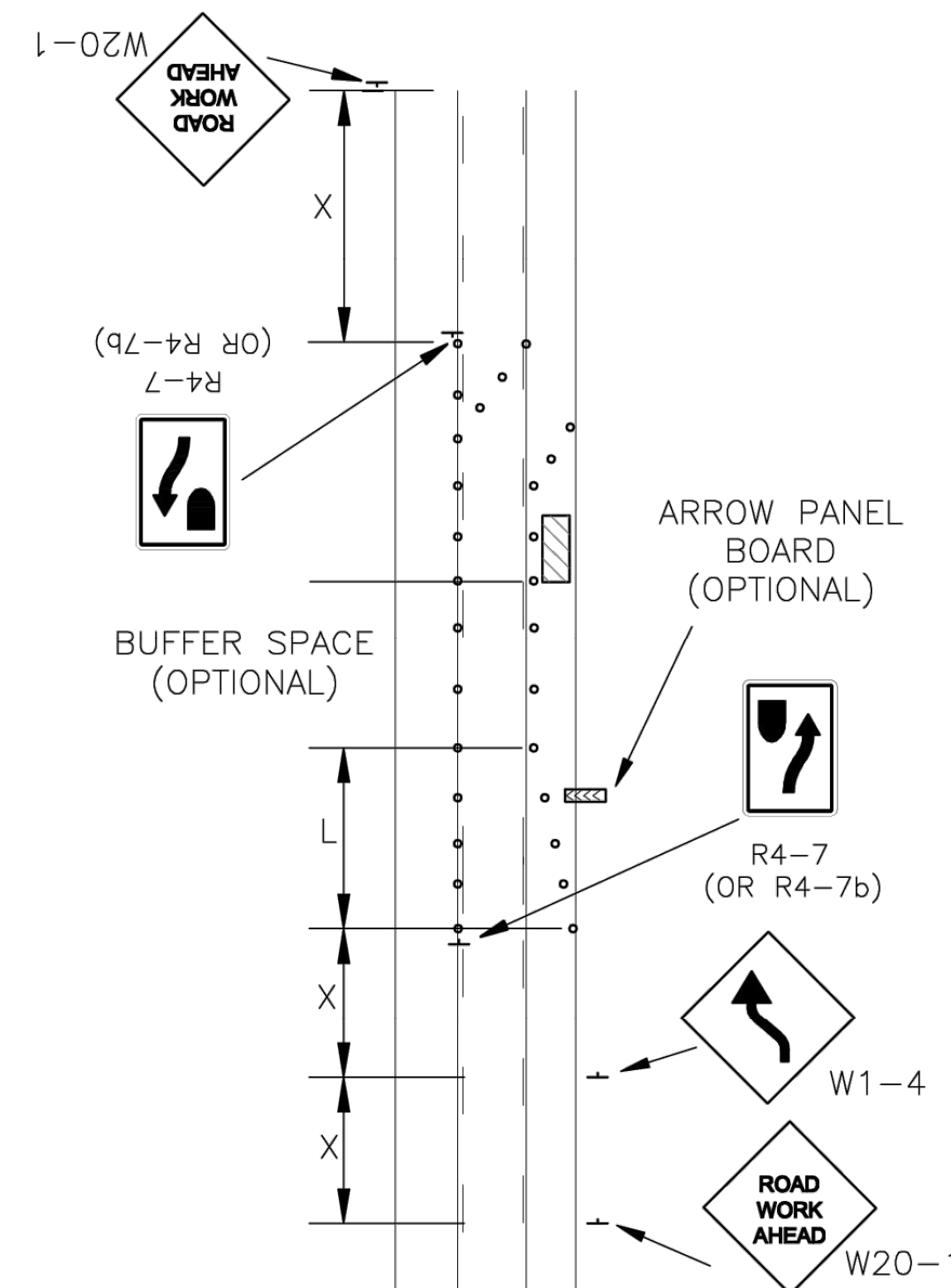


**FIVE LANE ROADWAY
w/ TWO LANES CLOSED**

(BASED ON SPEED LIMIT OF 40mph
AND LANE WIDTH OF 12')

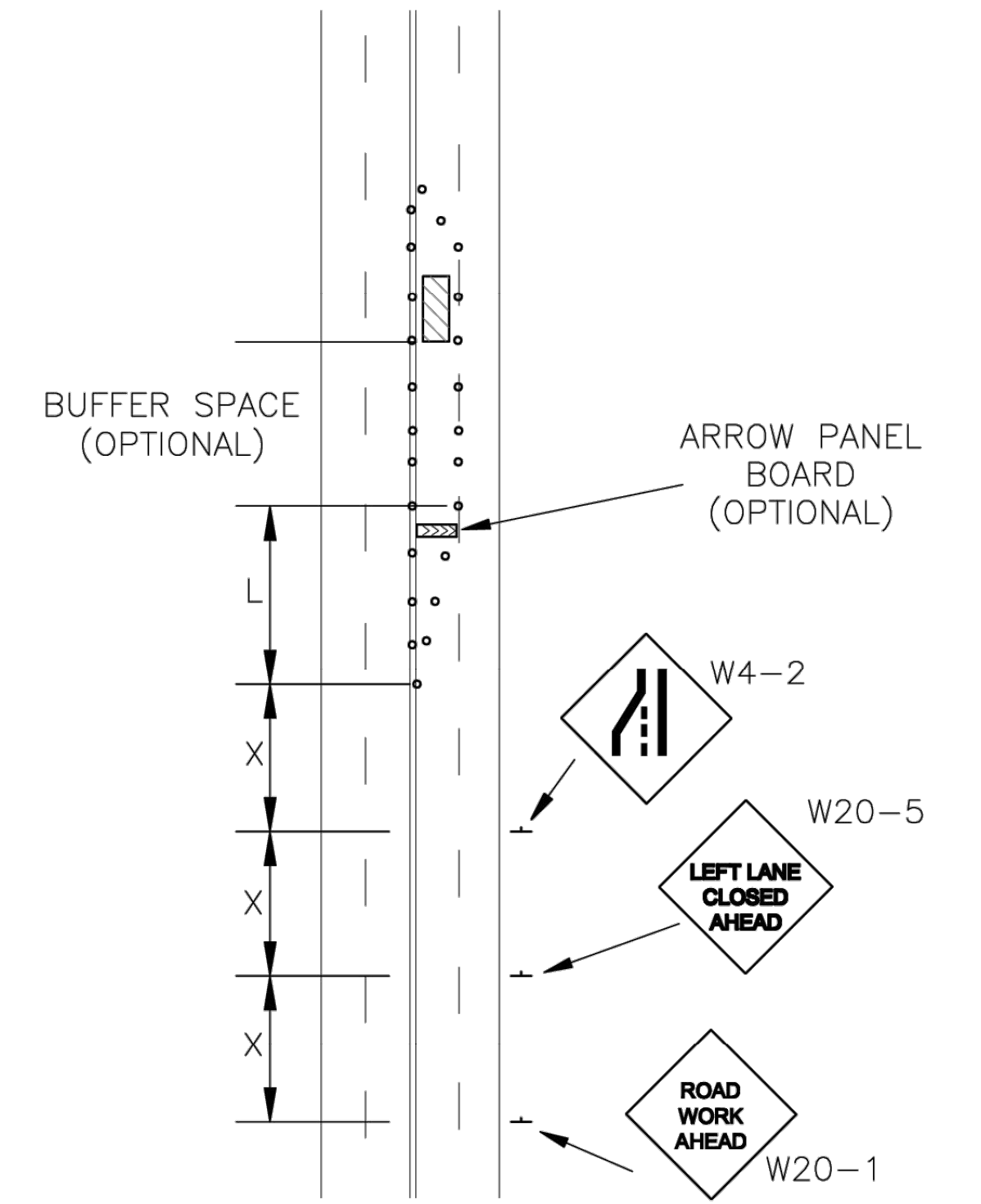


**4-LANE UNDIVIDED ROADWAY-HALF
ROADWAY IS CLOSED**

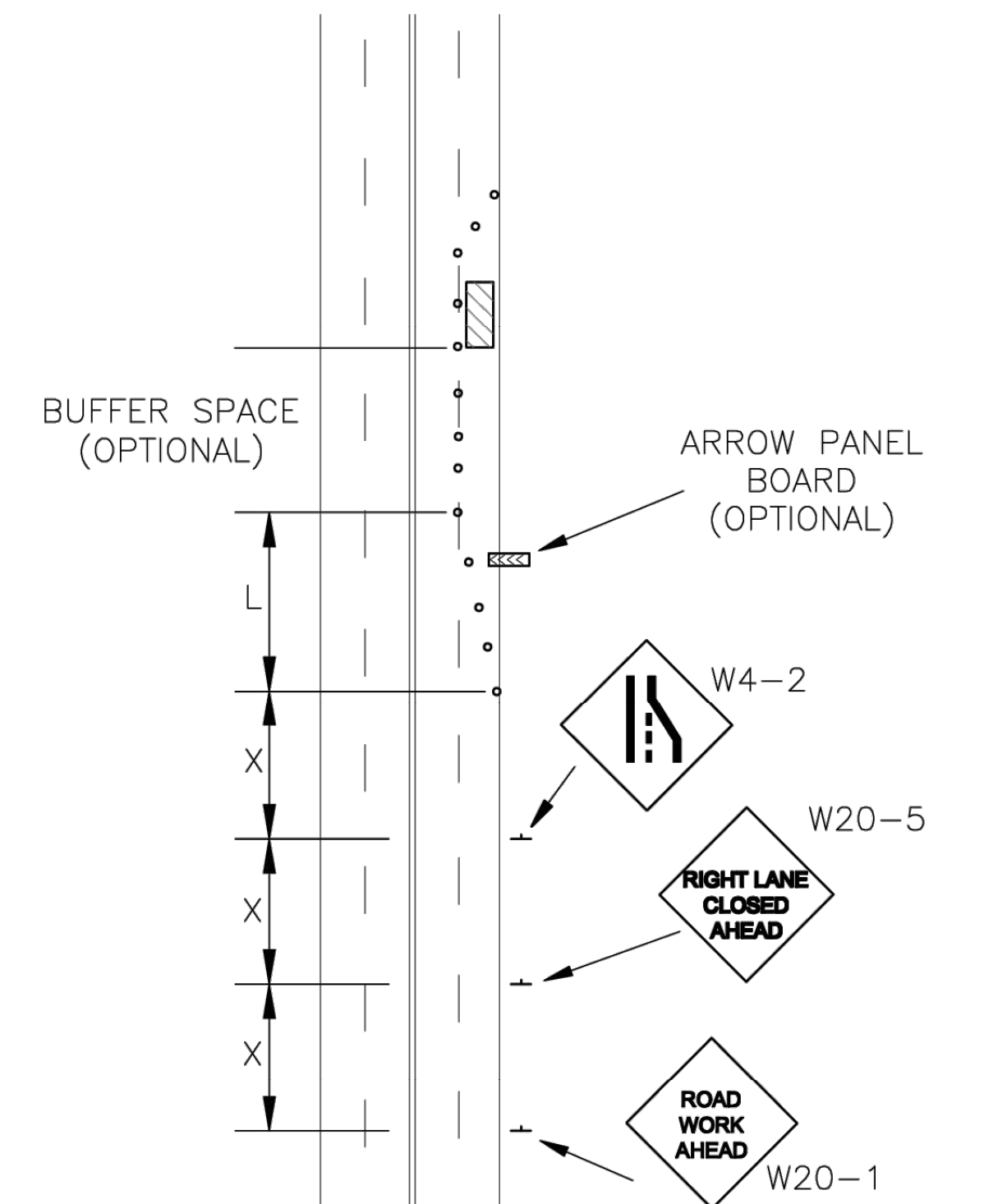


**LANE CLOSURE WITH
TWO-WAY
LEFT TURN LANE**

**DT-120C
SEE DT-118A FOR X, L**



**LEFT LANE CLOSURE
ON 4-LANE ROADWAY**



**RIGHT LANE CLOSURE
ON 4-LANE ROADWAY**

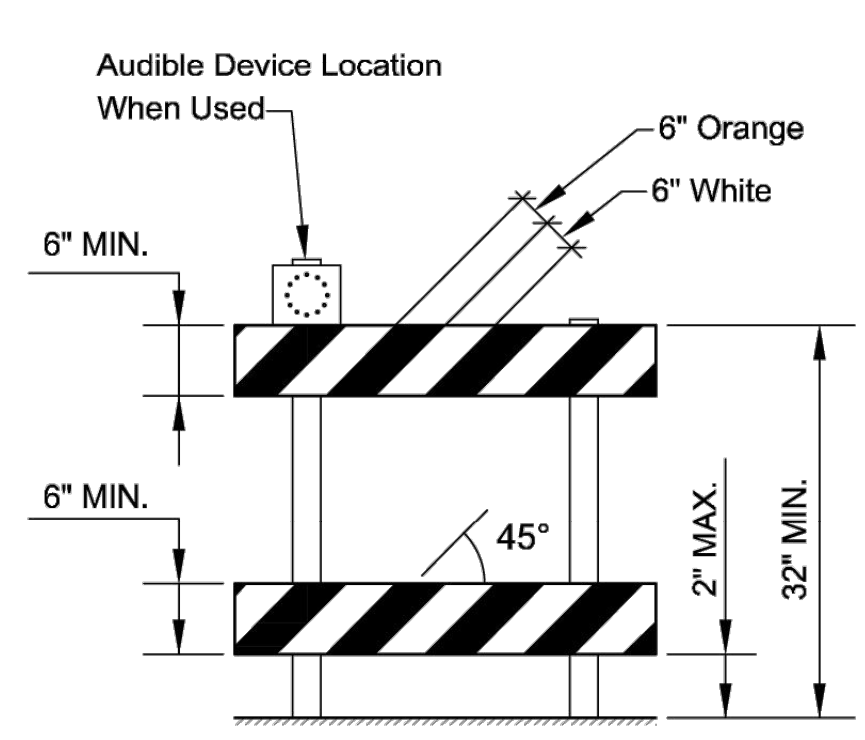
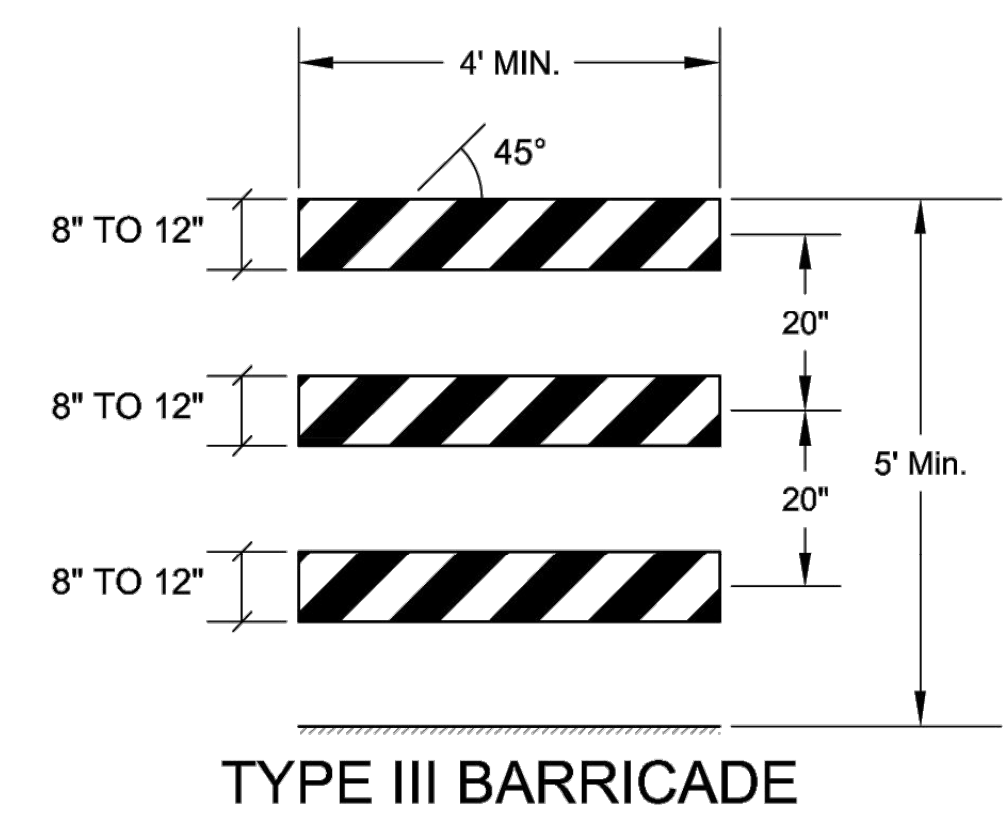
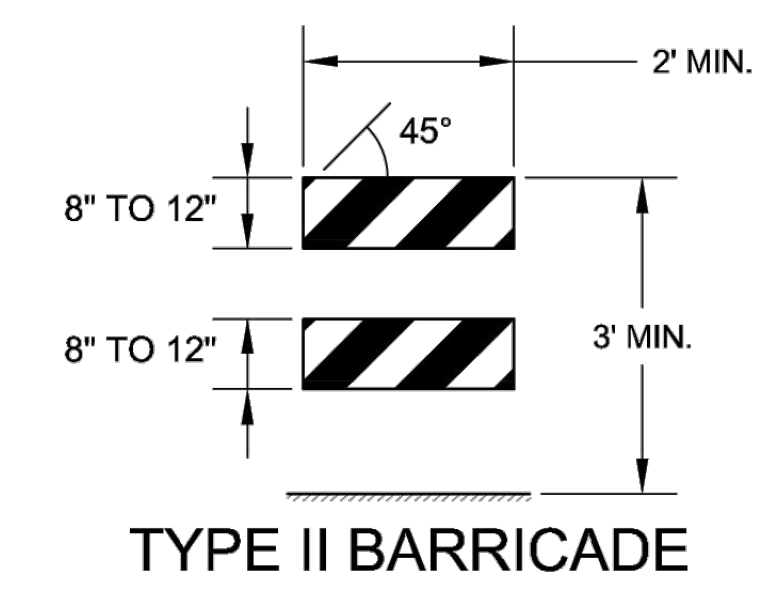
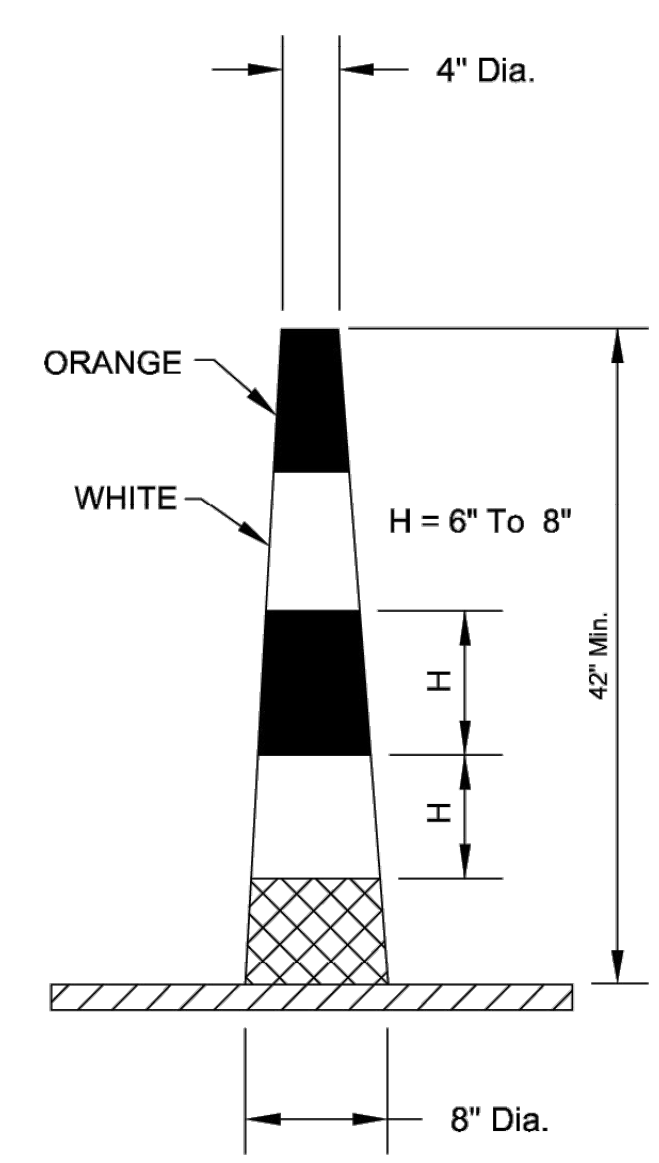
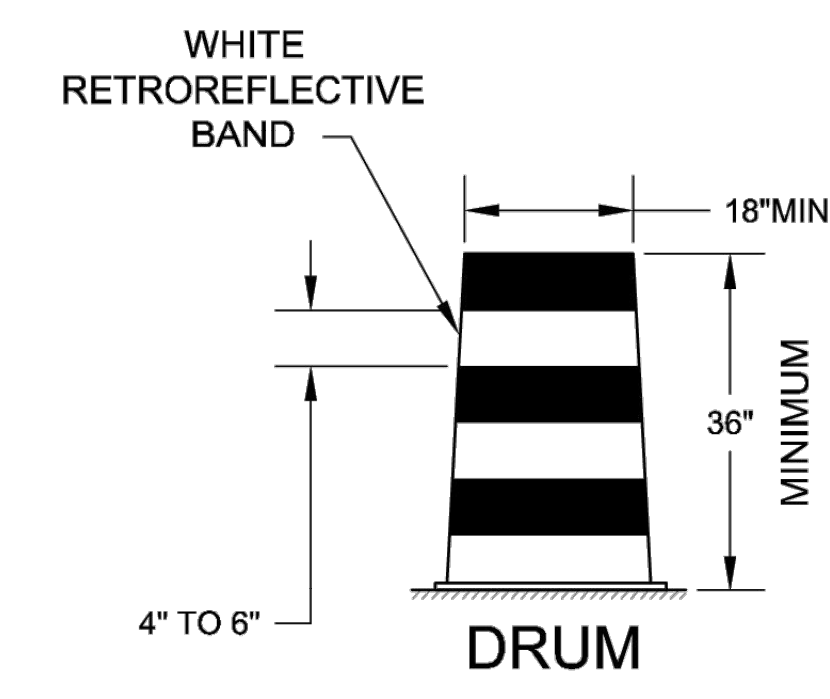
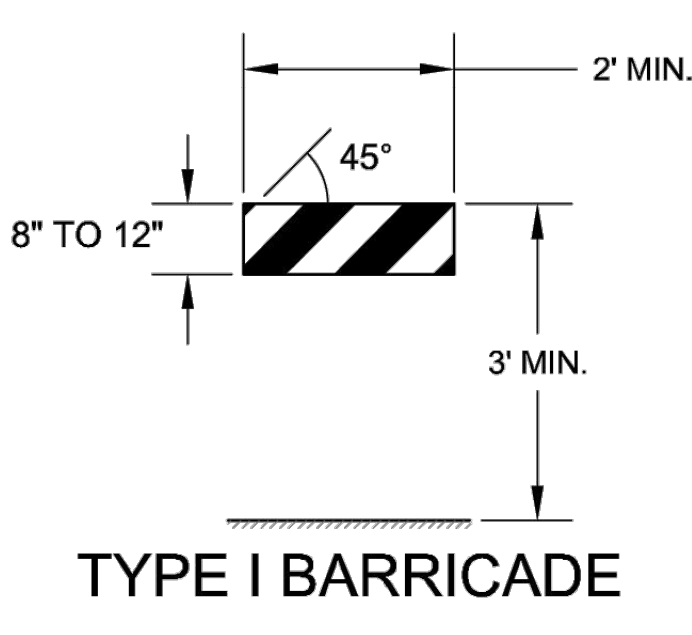
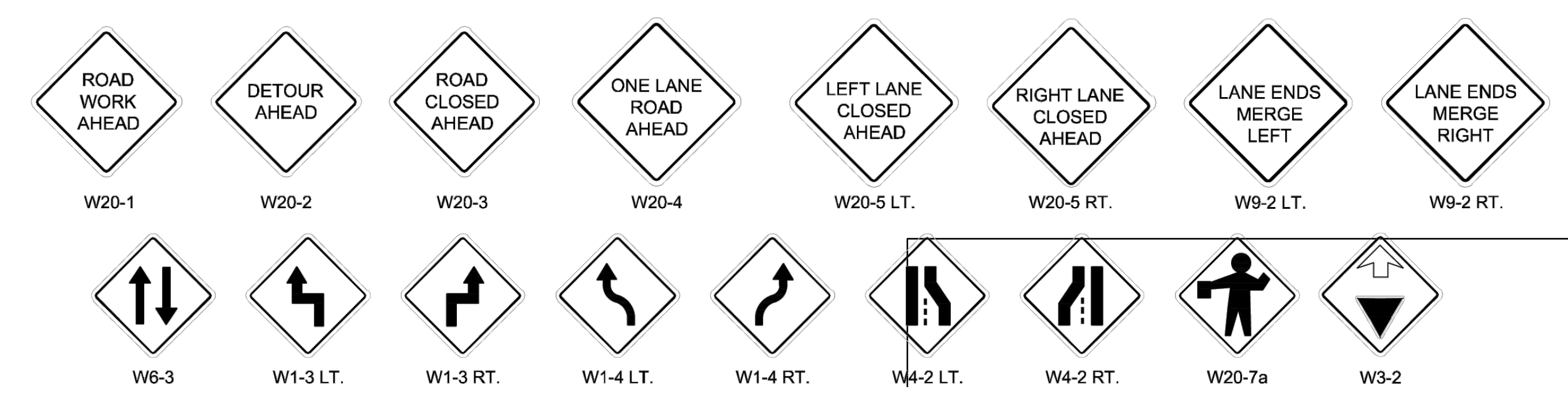
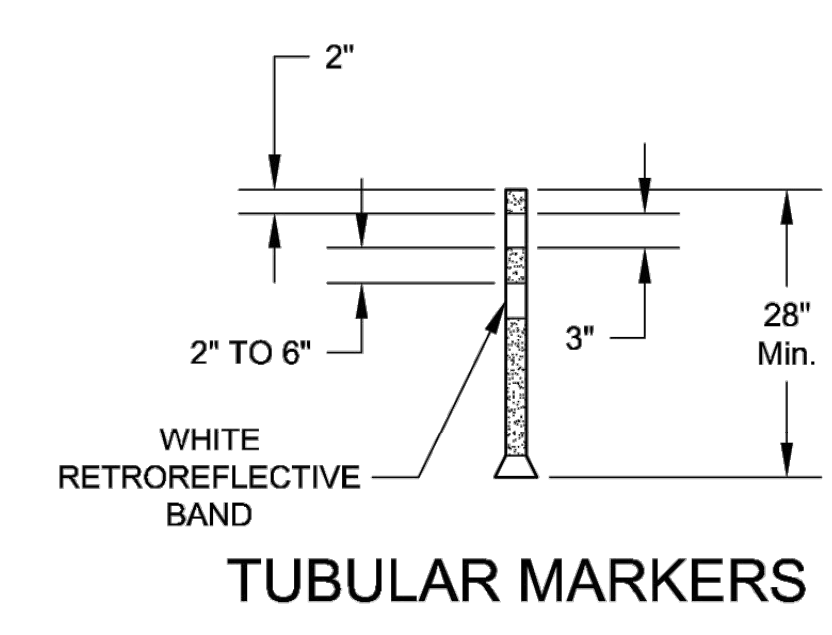
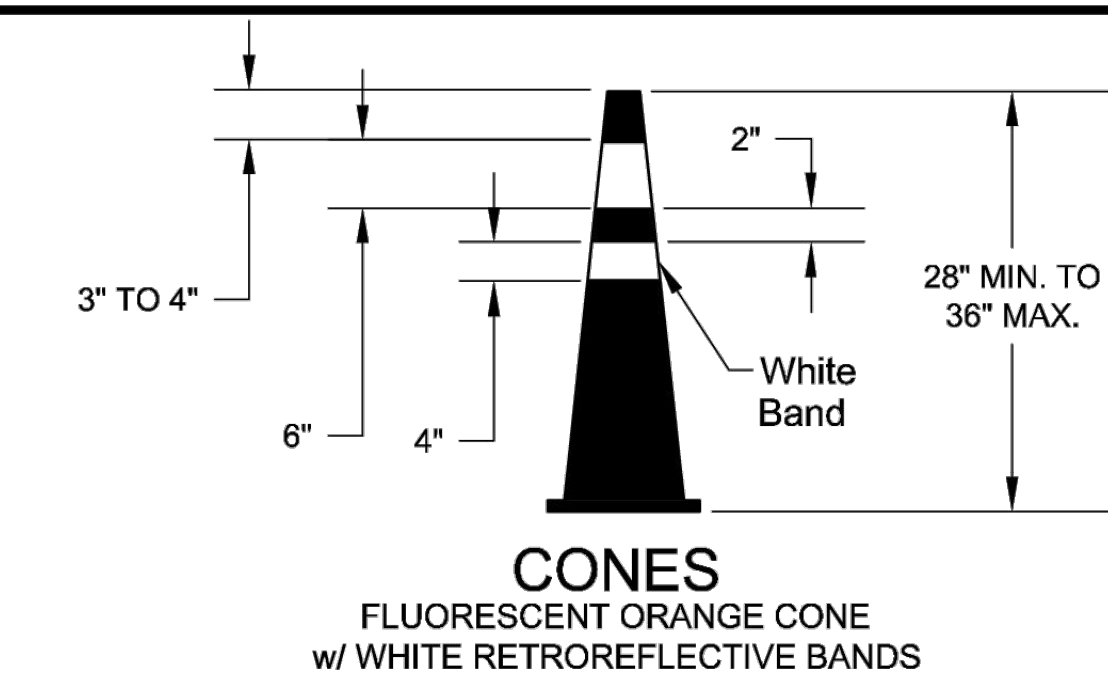
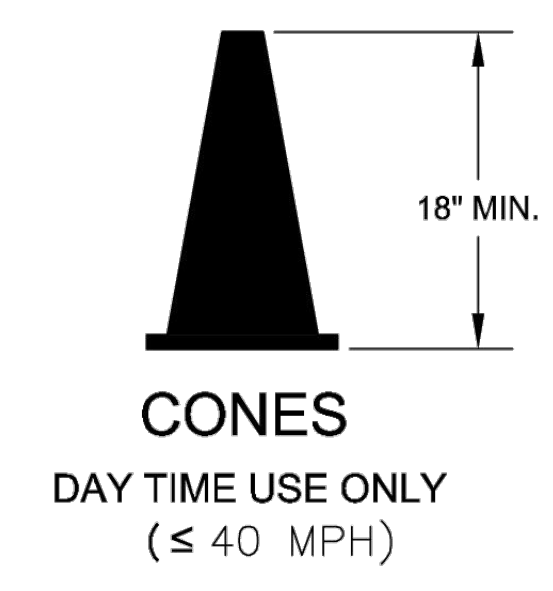
NO.	DATE:	REVISION	BY:	APP'D
1	01/30/12	UPDATE SPECIFICATIONS	KAP	LGV

DRAWN BY: K.PELTON
APP'D BY: Linda Elvira

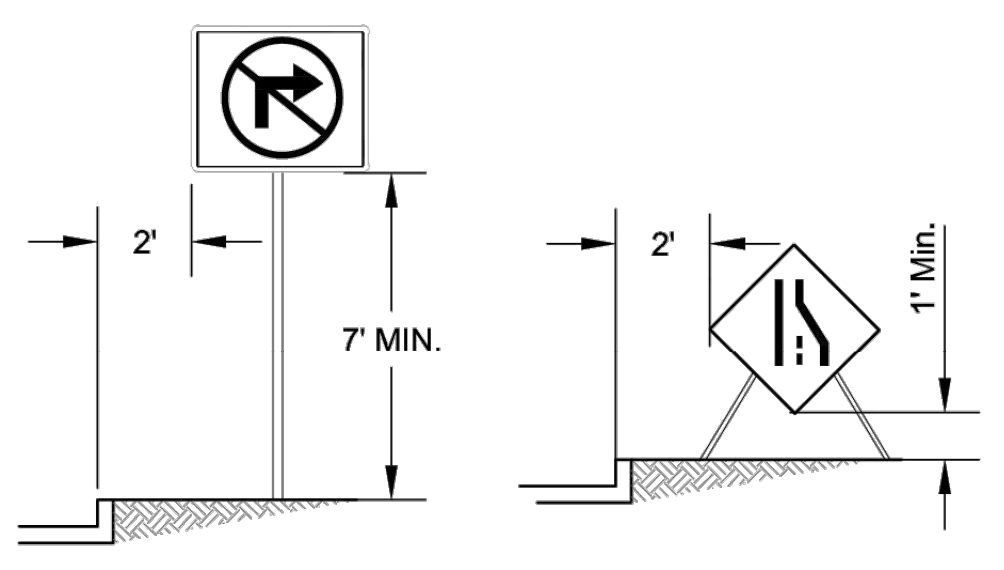


TRAFFIC CONTROL

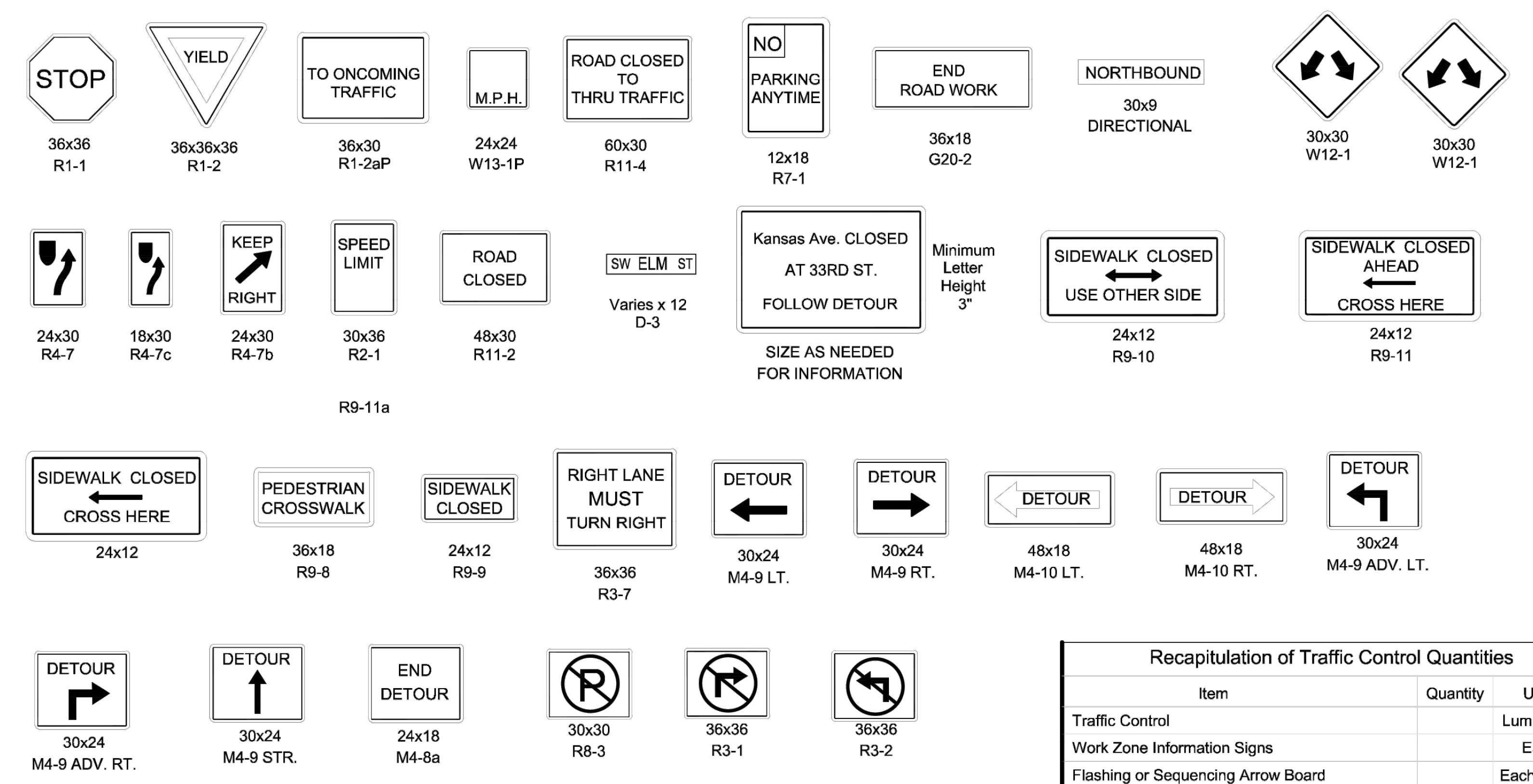
DATE: FEB 2026
PAGE: 42b OF 44
DRAWING: DT-120C
PROJ.: 841106.02



NOTES:
1. Barricades (Type 2 or 3) shall be used to close the entire width of the pathway.
2. Do not use warning lights on pedestrian barricades or on audible devices.
3. Upper rail shall be continuously smooth.
4. Adjacent sections of barricades shall be interlocked together, and shall have the same base color (orange or yellow).
5. Stripes are optional. As an alternate, the top rail may be orange and the bottom rail may be white.



UNLESS OTHERWISE NOTED ALL WARNING SIGNS SHALL BE 36"x36"



Minimum Size:
Refer to Table 6F-1 of the most recent edition of MUTCD for minimum sizes of all Traffic Control Signs.

TYPICAL TRAFFIC CONTROL SIGNS USED IN CITY PROJECTS

Recapitulation of Traffic Control Quantities		
Item	Quantity	Unit
Traffic Control		Lump Sum
Work Zone Information Signs		Each
Flashing or Sequencing Arrow Board		Each Week
Portable Changeable Message Sign		Each Week
Temporary Traffic Signal		Lump Sum
Temporary Pavement Marking (*) (**) (***)		LF
Surface Drop off Treatment		LF

(*) Type Pavement Marking: Type I, Type II, Masking
(**) Color
(***) Width

NO.	DATE:	REVISION	SU	KRE
1	10/30/20	MAJOR REVISION		

DRAWN BY: Shoeb Uddin
APP'D BY: Kristi Ericksen

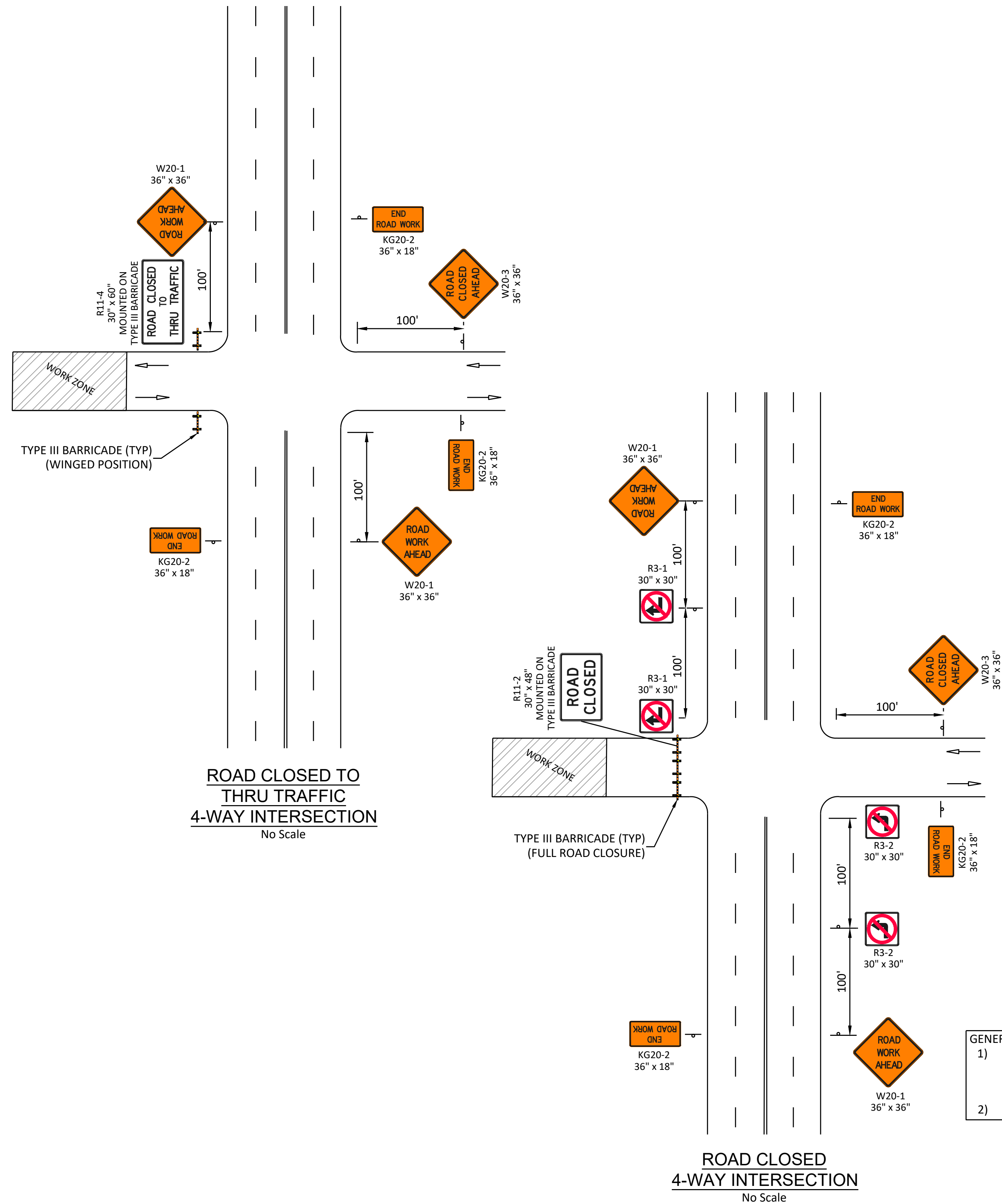
TOPEKA
Public Works
ENGINEERING
620 SE MADISON STREET - 2nd FLR. • TOPEKA, KS 66607
Phone: (785) 368-3842 • Fax: (785) 368-3881

STANDARD DETAILS
DT - 121A

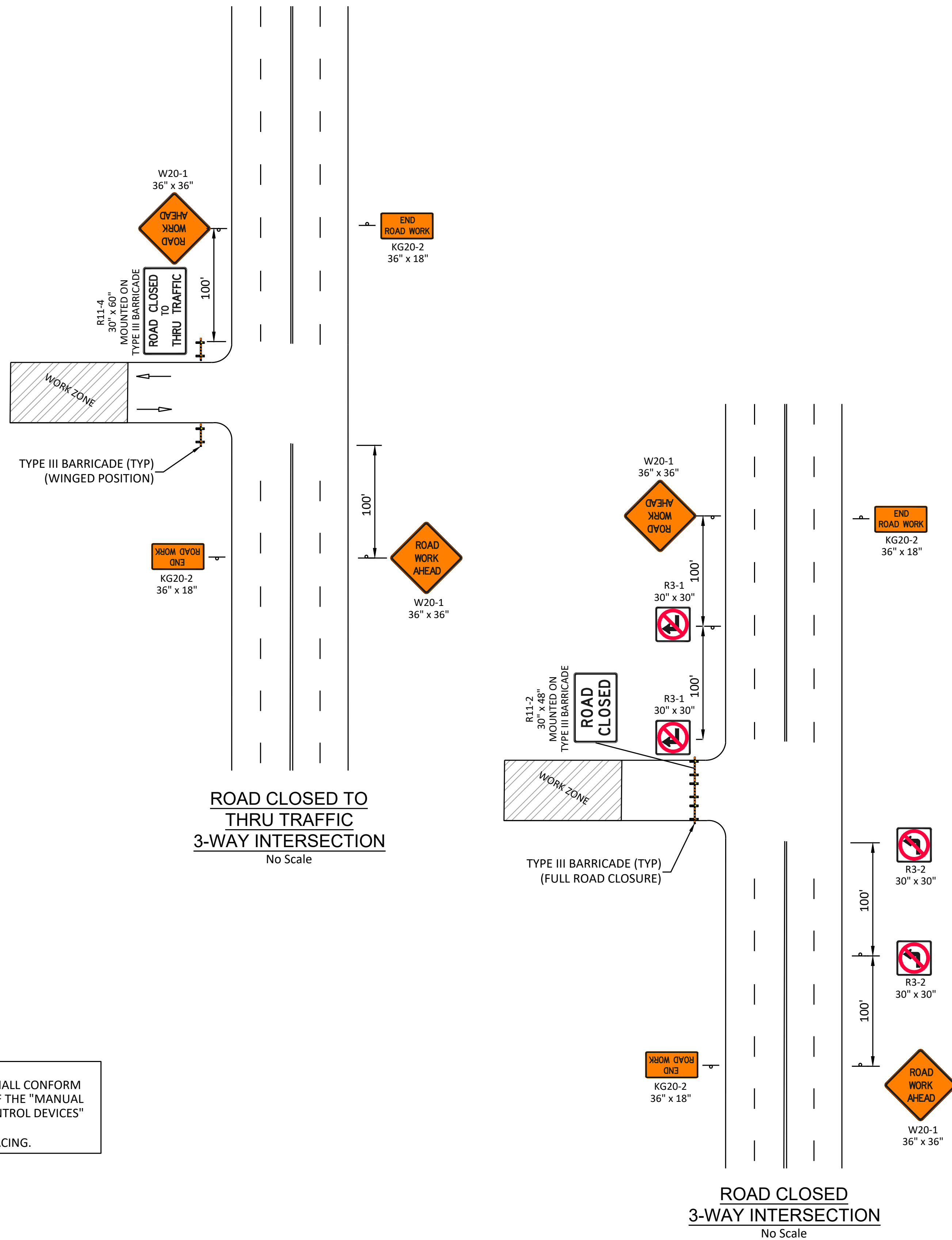
TRAFFIC CONTROL DEVICES AND RECAP OF QUANTITIES

DATE: FEB 2026
PAGE: 43 OF 44
PROJECT: 841106.02

File Location: Y:\Kansas\1326-600002-00_Topeka_UBAS_26\Eng_Docs\General\Sheets\1326-600002-STD DETS.dwg [Plot Date: 2/23/2026 10:58:46 AM] [Last Saved: 2/17/2026 11:43:59 AM; rrenter]



GENERAL NOTES:
 1) ALL SIGNS AND DEVICES SHALL CONFORM TO THE LATEST EDITION OF THE "MANUAL ON UNIFORM TRAFFIC CONTROL DEVICES" (MUTCD).
 2) SEE DT-118A FOR SIGN SPACING.



NO.	DATE:	REVISION	BY:	APP'D

DRAWN BY: _____
 APP'D BY: _____


 Alfred Benesch & Company
 123 SE 6th, Suite 200
 Topeka, Kansas 66603
 Ph 785.409.6507 Job No. - 131057.00


 620 SE MADISON St. • 2nd Floor • TOPEKA, KS 66607
 Phone: (785) 368-3842 • Fax: (785) 368-3881

UBAS 2026
 PROJECT 841106.02

TRAFFIC CONTROL DETAILS

DATE: FEB 2026
 SHEET: 44 OF 44
 PROJ.: 841106.02